

## DEVIreg™ 330



**DEVIreg™ 330** is a line of simple electronic thermostats to be installed in electric cabinets with DIN rail attachment. To measure and control the desired temperature either a wire sensor (in the set) or an external indoor/outdoor air sensor must be used. The thermostat must be installed via an all-pole disconnection switch. It has a LED indicating showing standby (green light) and heating (red light) periods.

DEVIreg™ 330 has a relay with 2 contact pairs - NO (normally opened) and NC (normally closed), and are supposed to be used for heating and cooling systems. Additionally, NO and NC contact pairs are not wetted by a voltage source inside the thermostats, and can be used for control systems with any voltage up to 250 V.

The series is designed with thermostats in three temperature range.

**DEVIreg™ 330 (-10 - +10°C)** is used primarily for controlling a lower temperature range such as frost protection. This thermostat has a button to adjust the temperature setting with a scale from -10 °C to +10 °C. Special outdoor white wire sensor included in a set.

**DEVIreg™ 330 (5 - 45°C)** is used primarily for controlling lower temperature range such as frost protection and for cooling, Comfort Floor Heating, Total (Direct) Floor Heating, Ice and Snow Melting on Ground, Frost Protection on Roofs, Pipe Tracing, etc. The thermostat has a button to adjust the temperature setting with a scale from 5 °C to 45 °C. This type has temperature lowering in economy periods mode by using external timer.

**DEVIreg™ 330 (60 - 160°C)** is used primarily for high temperature maintenance in pipe heating systems. The thermostat has a button to adjust the temperature setting with a scale from 60 °C to 160 °C. Special high temperature silicon wire sensor in a set.

### Benefits:

- For DINrail mounting
- Low temperature area
- Low standby consumption
- LED indicator

### Standard compliance:

- EN/IEC 60730-1 (general)
- EN/IEC 60730-2-9 (thermostat)

### Approvals:



Type	Value
Operation voltage	220 - 240 V, 50/60 Hz
Standby power consumption	Max. 0,25 W
Resistive load	Max 16 A (3680 W) @ 230 V
Inductive load	Max. 1 A, cos φ = 0,3
Ambient temperature	-10 °C to +50 °C
Cable specification max	1 x 4 mm <sup>2</sup> or 2 x 2,5 mm <sup>2</sup>
Storage temperature	-20 °C to +65 °C
IP class	20
Protection class	Class II - <input type="checkbox"/>
Dimensions (H/W/D)	85 x 36 x 58 mm
Weight	83 g

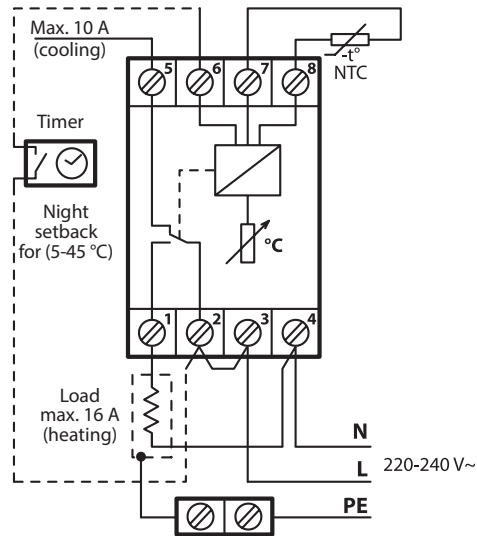
### Types

Item no.	Product name	Temp. range	Sensor type	Night setback	Hysteresis	Marking	EAN no.
140F1072	<b>DEVIreg™ 330 (5 - 45 °C)</b>	5 °C to 45 °C	Wire sensor, 3 m, NTC 15 kOhm at 25 °C	5 °C	± 0,2 °C	D330	5703466209226
140F1070	<b>DEVIreg™ 330 (-10 - +10 °C)</b>	-10 °C to +10 °C	Wire sensor, 3 m, NTC 15 kOhm at 25 °C	-	± 0,2 °C	D330	5703466209219
140F1073	<b>DEVIreg™ 330 (60 -160 °C)</b>	60 °C to 160 °C	Wire sensor, silicone, 3 m, NTC 16,7 kOhm at 100 °C	-	± 0,4 °C	D330	5703466209233

### Accessories

Item no.	Product name	Description	EAN no.
140F1095	<b>Room sensor, 426-frame</b>	85 x 85 x 30 mm, NTC 15 kOhm at 25 °C, IP 20	5703466209684
140F1096	<b>Outdoor sensor IP44</b>	80 x 50 x 35 mm, NTC 15 kOhm at 25 °C, IP 44	5703466209691
140F1091	<b>Sensor cable 3 m, 15 kOhm, Santropene</b>	Wire sensor, 2x0,75 mm <sup>2</sup> , NTC 15 kOhm at 25 °C, Ø5 mm, black Santropene (TPV) outer sheath, IP 67	5703466209301
19121445	<b>Sensor cable 40 m, 15 kOhm, Santropene</b>		5703466115015
140F1092	<b>Outdoor sensor 2,5 m, 15 kOhm, PVC</b>	Wire sensor, 2x0,75 mm <sup>2</sup> , NTC 15 kOhm at 25 °C, Ø8 mm, white PVC outer sheath, IP 67	5703466209318
140F1098	<b>Outdoor sensor 10 m, 15 kOhm, PVC</b>		5703466210734
140F1097	<b>Silicon temperature sensor for DEVIreg™ 330 (60-160°C), NTC 16,7 kOhm @ 100°C</b>	Wire sensor, 2,5 m, 2x0,75 mm <sup>2</sup> , NTC 16,7 kOhm at 100 °C, IP 65	5703466209707

**Connection scheme**



DEVIreg™ 330 (5 - 45 °C)



DEVIreg™ 330 (-10 - +10 °C)



DEVIreg™ 330 (60 - 160 °C)

